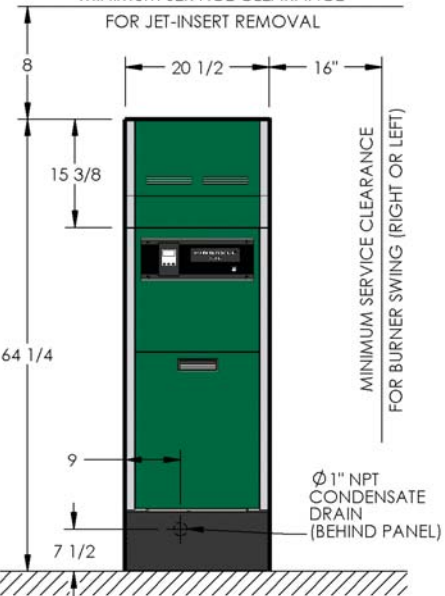
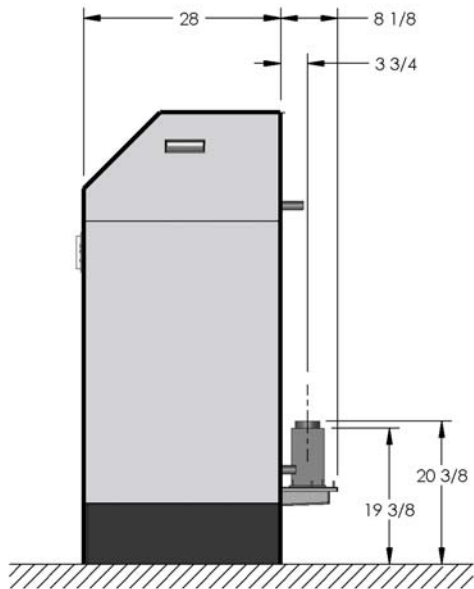


MINIMUM SERVICE CLEARANCE

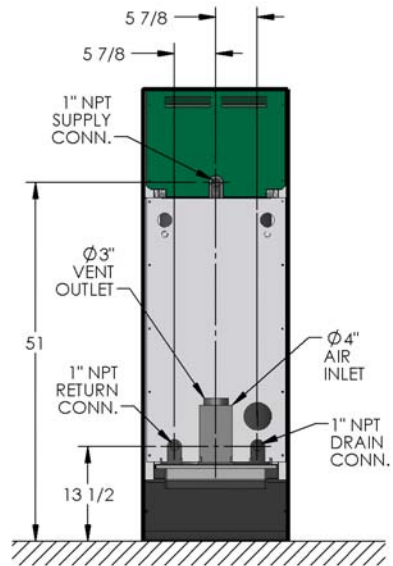
FOR JET-INSERT REMOVAL



FRONT



RIGHT SIDE



REAR

